

WH Moto Slim Stud-wall

Item no.: 8430

Lift system with electro-motorized height adjustment

WH Moto Slim Stud-wall is a wall lift system with floor support, which is suitable for screens with a size from 42" to 86" | 107 - 218 cm. The floor-wall installation ensures optimized weight distribution, which enables installation on stud-walls.

The VESA mount can be equipped from minimum 200 x 200 to a maximum 800 x 600 mm. The screen can be mounted in either landscape or portrait* orientation.

The electric motor height adjustment is operated via a wired remote control.

The cable management is done on the back using cable clips.

The considerable stroke of 600 mm offers the possibility of always adjusting the screen to the optimal viewing height.

The high-quality, slim design is optically rounded off and protected by a solvent free, impact and scratch resistant powder coating in black.

The maximum load is 100 kg.



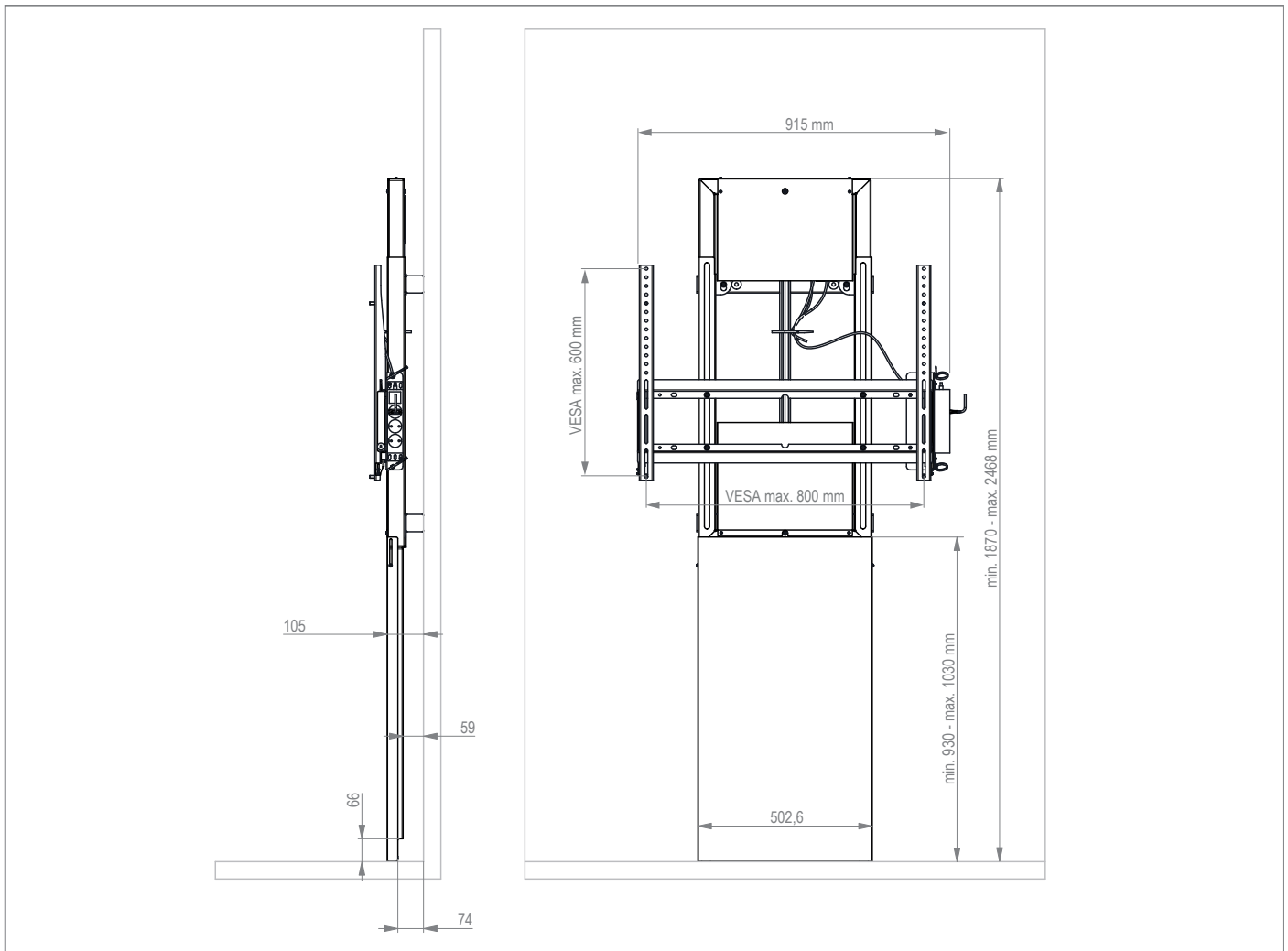
* depending on screen size | Technical changes reserved | This document is the property of HAGOR Products GmbH. Forwarding and duplication of this document, utilization and communication of its contents are not permitted unless expressly permitted. A violation obliges you to pay compensation. All rights reserved in the event of a patent, utility model or design registration.

WH Moto Slim Stud-wall

Item no.: 8430

Lift system with electro-motorized height adjustment

- Lift system with electro-motorized height adjustment
- 42" - 86" | 107 - 218 cm
- VESA, 200 x 200 mm min. - 800 x 600 mm max.
- Landscape | Portrait*
- Floor-Wall mounting
- Floor support for optimal weight distribution allows installation on stud walls
- Electro-motorized height adjustment
- 600 mm stroke
- Wired remote control
- Cable management with cable clips
- Slim design with only 90 mm depths
- 100 kg load, max.
- Solvent free, impact and scratch resistant powder coating
- Colour: black



* depending on screen size | Technical changes reserved | This document is the property of HAGOR Products GmbH. Forwarding and duplication of this document, utilization and communication of its contents are not permitted unless expressly permitted. A violation obliges you to pay compensation. All rights reserved in the event of a patent, utility model or design registration.